



# Abbey Throttle Traditional Radiator Valves (Angled Manual)

MANUAL



Available Finishes	
Old English Brass	Satin Nickel
Light Pewter	
<p>Old English Brass and Light Pewter finishes are Un-lacquered and designed to look old. They are hand finished and appearance may vary from one valve to the next. Satin Nickel valves have a highly polished finish.</p>	

Connection size	
Valve to Radiators	1/2" BSPT
Valve to Pipe	15 mm Compression

Allen Key size	
To adjust Lock-Shield	N/A
To fit Coupler to Radiator	12 mm
Allen Keys are not included	

Pressure Ratings	
Max Test Pressure	12 Bar
Max Operating Pressure	10 Bar
Max Differential Pressure	1 Bar
Pressure Drop Value (Kvs)	1.6 m <sup>3</sup> /h
<p>Kvs value is the metric measure for the flow of a fully opened valve. It is defined as: The volume flow in cubic metres per hour of water at a temperature of between 5° and 40° Celsius with a pressure drop across the valve of 1 bar.</p>	

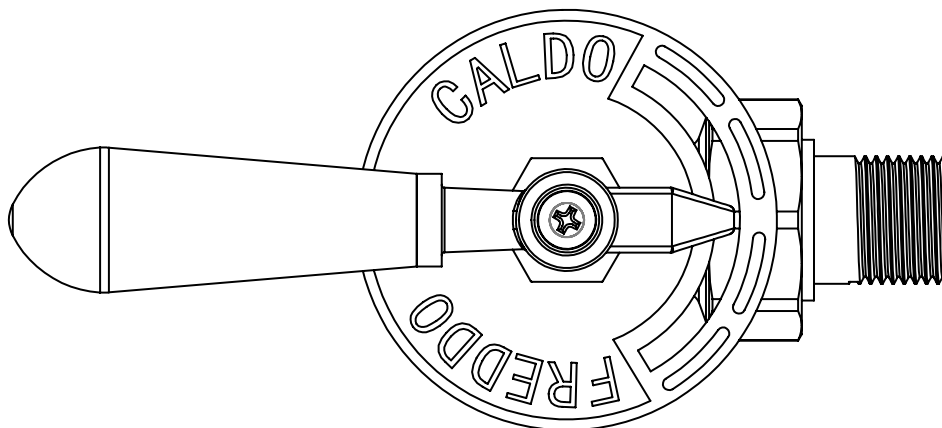
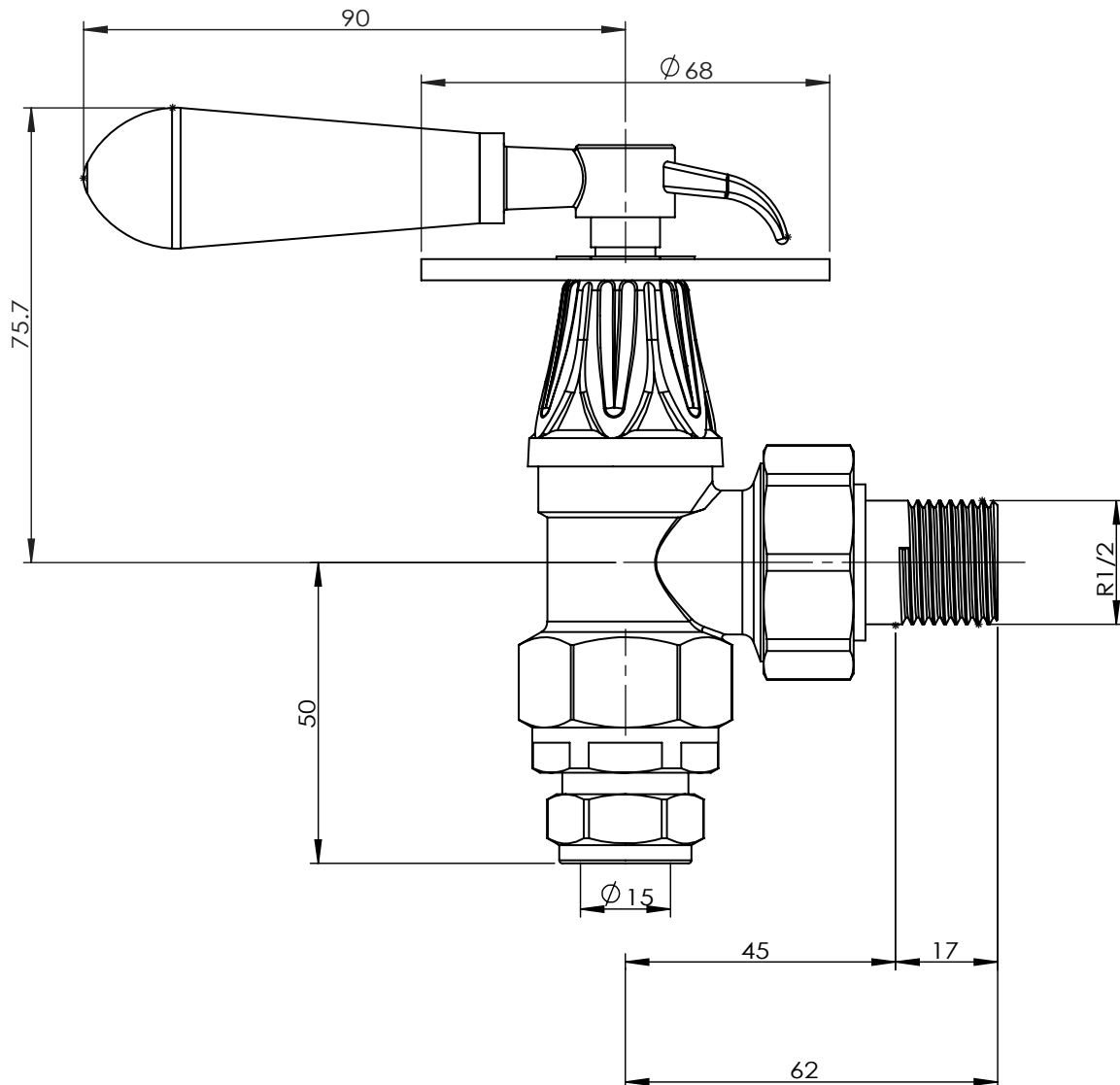
Flow Ratings	
Normal Flow Rate	0.23 m <sup>3</sup> /h
Max Flow Rate	0.32 m <sup>3</sup> /h

Temperature Ratings	
Max Test Temperature	120°C
Max Operating Temperature	110°C
Temperature Adjustment Range	N/A

Disclaimer	
All dimensions are approximate and for roughing in only.	
We recommend no work be carried out until the goods arrive.	
We can take no responsibility for errors in information supplied.	



# Abbey Throttle Traditional Radiator Valves (Angled Manual)





## Abbey Throttle Traditional Radiator Valves (Angled Manual)

### Manual Valve Installation

Your radiator valves should only be installed by a competent and suitably qualified installer. Your warranty may be void if installation is not carried out by a suitably qualified heating engineer.

All plumbing joints should be sealed using appropriate tools, methods and materials. Never over tighten any joint or coupling.

Ensure care is taken to protect the decorative finish on the valves during installation. We would recommend applying protection (for example, at least two layers of paper between the faces of the nuts and any spanner) to ensure the surfaces are not marked.