



Amberley Thermostatic Radiator Valves - Antique Brass (Corner TRV)



Available Finishes	
Chrome	Satin Nickel
Antique Brass	Black Nickel
Polished Brass	Pewter

Connection Size	
Valve to Radiator	1/2" BSPT
Valve to Pipe	15 mm Compression

Allen Key size	
To adjust Lock-Shield	N/A
To fit Coupler to Radiator	SW13
Allen Keys are not included	

Pressure Ratings	
Max Test Pressure	16 Bar
Max Operating Pressure	10 Bar
Max Differential Pressure	1Bar
Pressure Drop Value (Kvs)	1.48 m ³ /h
Kvs value is the metric measure for the flow of a fully opened valve. It is defined as: The volume flow in cubic metres per hour of water at a temperature of between 5° and 40° Celsius with a pressure drop across the valve of 1 bar.	

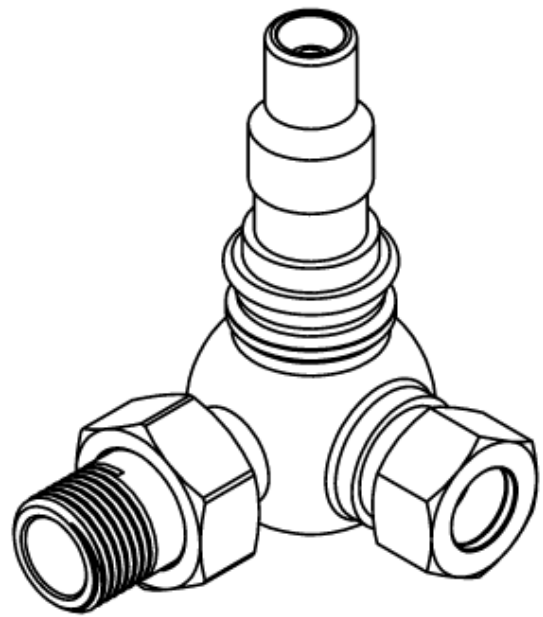
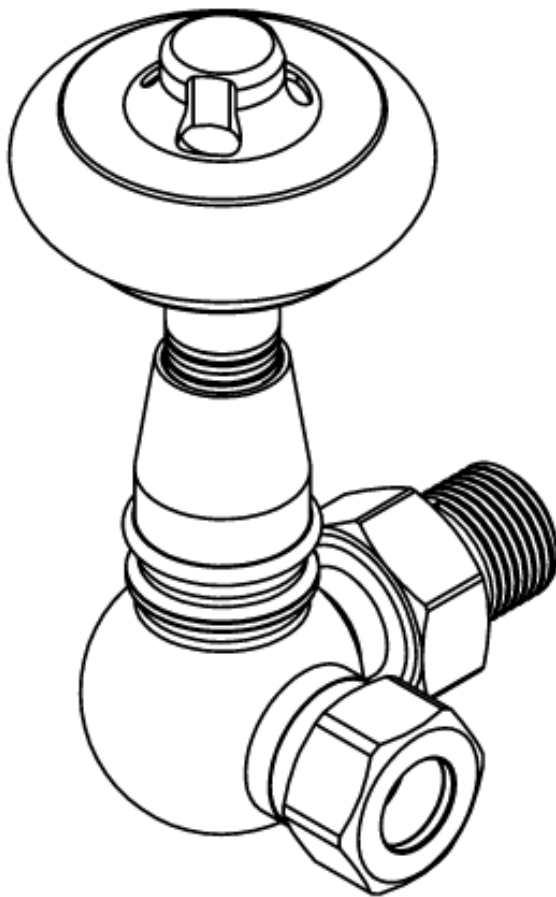
Flow Ratings	
Normal Flow Rate	0.49 m ³ /h
Max Flow Rate	1.48 m ³ /h

Temperature Ratings	
Max Test Temperature	100°C
Max Operating Temperature	120°C
Temperature Adjustment Range	7-38°C

Disclaimer	
All dimensions are approximate and for roughing in only. We recommend no work be carried out until the goods arrive. We can take no responsibility for errors in information supplied.	



Amberley Thermostatic Radiator Valves - Antique Brass (Corner TRV)



Height – 140mm

Width – 85mm

Depth – 70mm